

SS300 / LS300

S-Type Load Cell

50, 100, 150, 200, 300, 500 kgf, 1, 2, 3, 5, 10 tf



FEATURES

- Tension or compression applications
- Suitable for hanging scales
- Protection class IP66

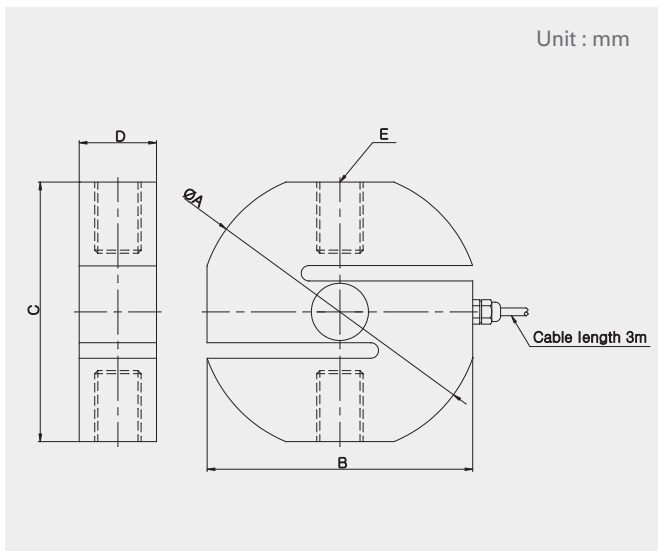
Material

- Nickel plated steel (SS300)
- Stainless Steel (LS300)

Cable

- Braided shield 4-wire round cable with PVC - jacket

DIMENSIONS



Model	Capacity	ØA	B	C	D	E
SS300 LS300	50 kgf	80	74	76	19	M12x1.75
	100 kgf				26	
	150 kgf					
	200 kgf					
	300 kgf					
	500 kgf	84	90	110	30	M18x1.5
	1 tf					
	2 tf					
	3 tf					
	5 tf					
10 tf	182	172	168	50	M30x2.0	

LOAD CELL
S-Type Load Cell

SPECIFICATIONS

Max. Capacity	kgf	50, 100, 150, 200, 300, 500 kgf, 1, 2, 3, 5, 10 tf
Rated output	mV/V	2.0 ± 0.005
Zero balance	mV/V	0 ± 0.2
Combined error	%RO	0.03
Repeatability	%RO	0.015
Creep (30min.)	%RO	0.03
Temperature effect on	Zero value	%RO/10°C
	Output value	%RO/10°C
Excitation	Recommended	V
	Maximum	V
Resistance	Input	Ω
	Output	Ω
	Insulation	MΩ
Compensated temp. range	°C	-10 ~ +40
Operating temp. range	°C	-20 ~ +80